

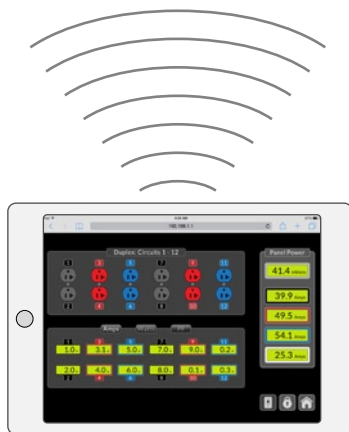
Smart Distro Panel

Revolutionizing Portable Lighting and Audio Power Distribution through Circuit Level Metering and Remote On/Off Control

*Custom Configurations
are our speciality*



Standard WiFi
Connectivity



*Remotely display metering
data using mobile device*

Product Highlights

- Power Metering on all circuit branches and mains.
- Wireless access to view power data using laptop, smart device, etc.
- Square 22.5" base form factor to maintain efficient transport. Compact height at 39" (42 circuits as pictured).
- Rugged ATA-style frame and enclosure using 600 lb-rated polyurethane casters, with front and rear removable doors, for maximum portability and safe, reliable, durable service.
- Portable Power Distribution featuring:
 - Cam-Lok™ compatible input and pass-through mains outputs, single or double neutrals.
 - Socapex SL419 compatible 120V and 208V receptacles.
 - Bates compatible style stage pin 120V and 208V receptacles.
 - Edison style duplex connectors, with optional GFI protection.
 - TWIST-LOCK® compatible 120V and 208V receptacles.
- OPTIONAL - Switchable Circuit Breakers that provide:
 - Eaton's Cutler-Hammer innovative solenoid operated remote controlled breakers with overcurrent protection. Switchable breakers are rated for 200,000 on/off/on operations.
 - Remote on/off control using the DMX-512 control protocol.
 - Sequential operation which prevents in-rush current impacts from LED driver loads and audio amplifiers.
 - Comprehensive and reconfigurable group control of loads that easily adapts to the unique configuration of each show.
 - AC Power sequencing to minimize voltage transients during equipment startup. Benefits both audio and lighting equipment.

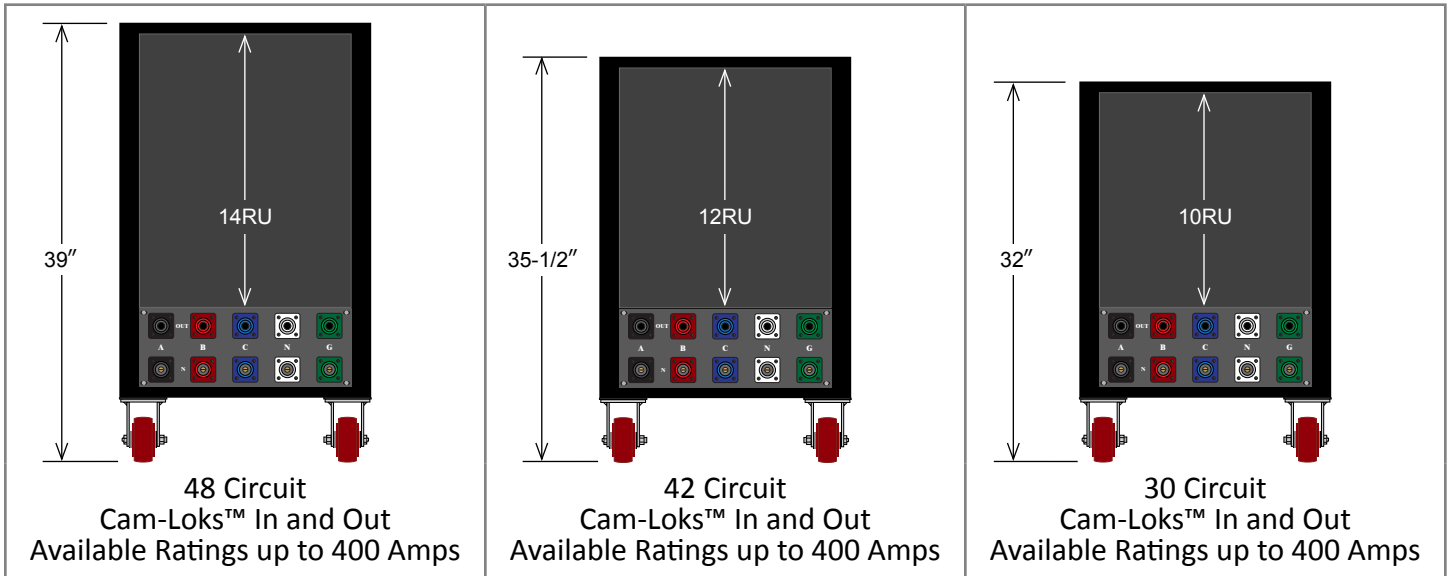


SMART POWER

by Benjamin Electric Company

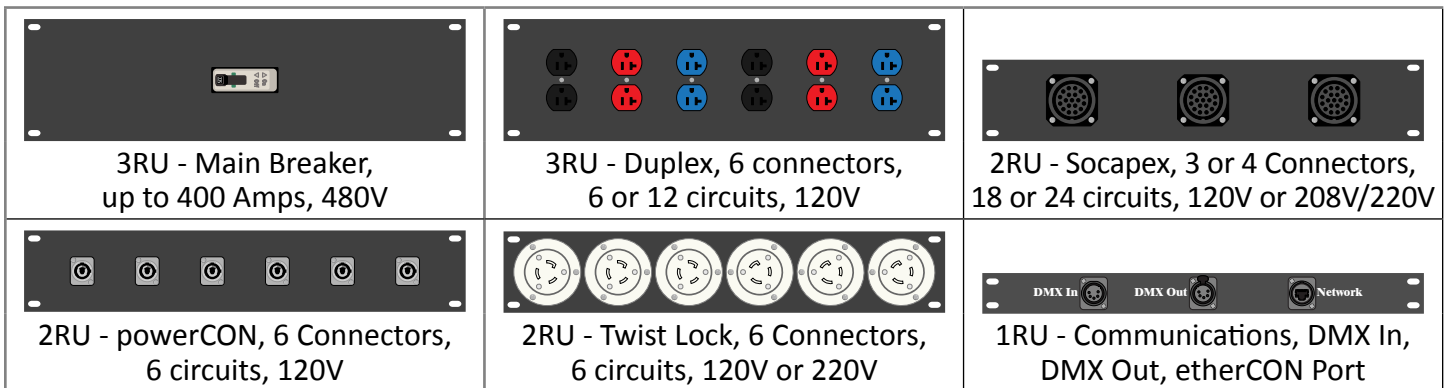
Manufacturers of Smart Power Distribution for the Entertainment Industry
www.BenjaminSmartPower.com • contact@BenjaminSmartPower.com

Panel Configurations



Rack Panels

(additional configurations available)



Metering Specifications

Power Measurement	Mains Current Accuracy:	1% of reading from 1% to 100% of nominal rated current
	Mains Voltage Accuracy:	0.5% of reading from 90 to 600 VAC Line to Neutral
	Mains Power Data:	Voltage, Current, Watts, PF, VA, VAR, HZ, WHrs, VAHrs, VARHrs
	Branch Current Accuracy:	1% of reading from 0.15 Amps to 100 Amps
	Branch Circuit Data:	Current, Watts, PF, VA, VAR, WattHrs, VAHrs, VARHrs
	Data Update Rate:	1 second for all real-time values



SMART POWER

by Benjamin Electric Company

1615 Staunton Avenue • Los Angeles, CA 90021 • 1-888-749-7731
www.BenjaminSmartPower.com • contact@BenjaminSmartPower.com